

SAMSON

SPS Series

Recharging And Discharging In Flash(閃光燈充放電用)

FEATURES

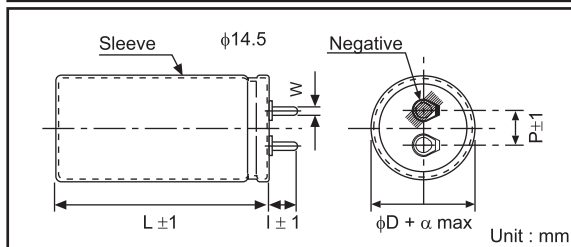
1. PS series is for photo flash applications require not only superior volumetric efficiency but also low dissipation factor and low leakage current.
2. These capacitors effectively convert electrostatic energy into light.



SPECIFICATIONS

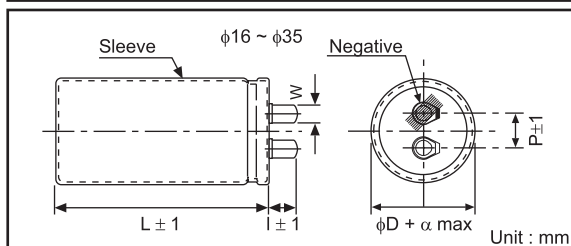
Item	Performance Characteristics				
Operating Temperature Range	-25 to +55°C				
Rated Working Voltage Range	330 & 360V				
Nominal Capacitance Range	150 to 1500µF				
Capacitance Tolerance	-10% to +20% (120Hz, +20°C)				
Leakage Current	I = 1 x C(µA) max.(After 5 minutes application of rated working voltage at +20°C)				
Dissipation Factor tan δ (120Hz, +25°C)	Capacitance Range (µF)	150~600	601~1500		
	Working Voltage (V)	330	360	330	360
	tan δ (max.)	0.10	0.12	0.15	0.18
Charge and Discharge Characteristics	Test condition : For 5000 times at room temperature(5~35°C) Charge & discharge cycles : 30 sec Leakage current : ≤ 150% of initial specified value Cap. change : within ±10% of initial value tan δ : ≤ 150% of initial specified value				
Shelf Life	The following specifications shall be satisfied when the capacitors are restored to 20°C after exposing them for 500 hours at 55°C without voltage applied. Leakage current : ≤ 300% of initial specified value Cap. change : within ±10% of initial value tan δ (DF) : ≤ 150% of initial specified value				

CASE SIZE TABLE



φD	14.5	16	18	20	22	25	30	35
P	5.5	6.0	6.0	6.0	6.0	8.0	8.0	10.0
I	4.0	5.0	5.0	5.0	5.0	5.5	5.5	5.5
W	1.5	2.6	2.6	2.6	2.6	3.0	3.0	3.0
α	0.5	0.5	0.5	0.5	0.5	1.0	1.0	1.0

For other specifications, dimensions and terminal configurations, etc. please specify



SPS Series

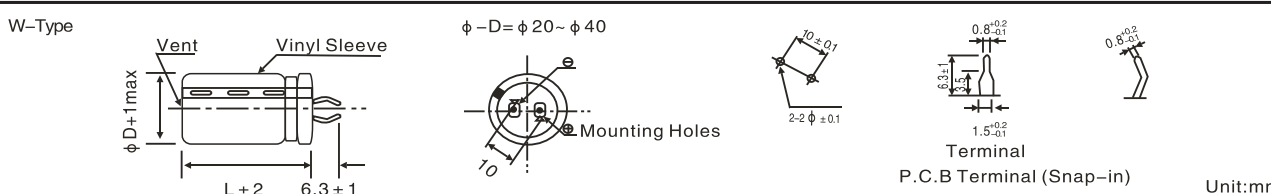
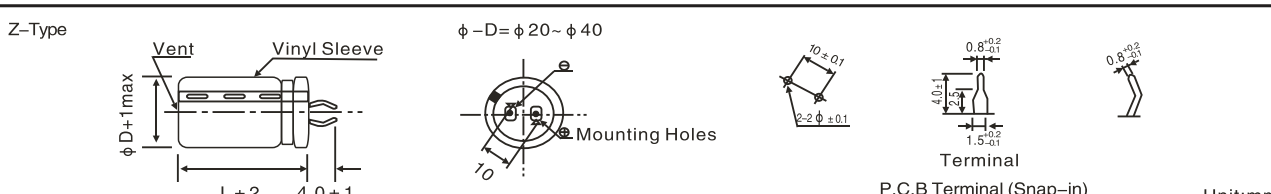
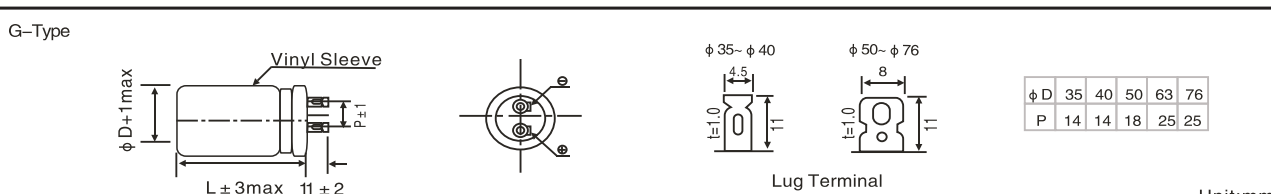
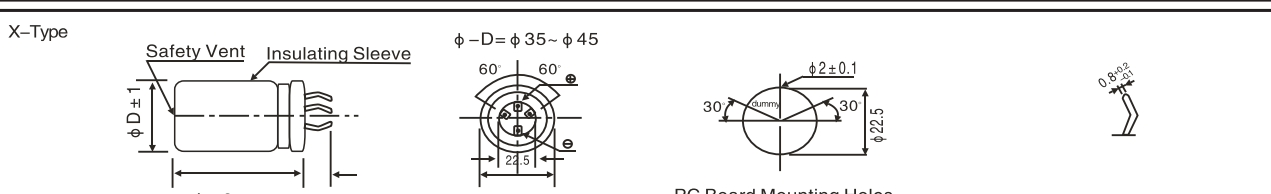
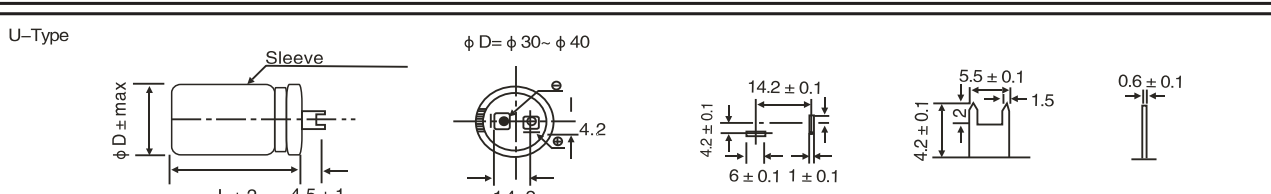
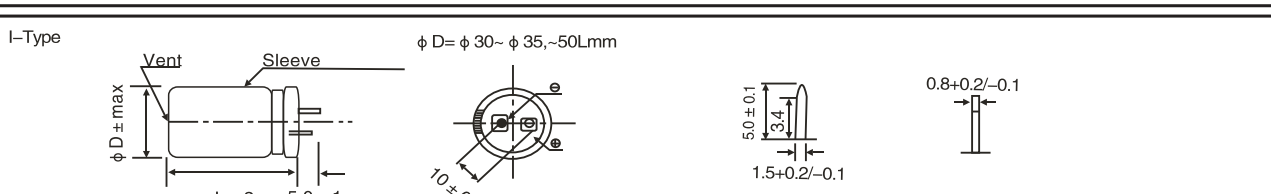
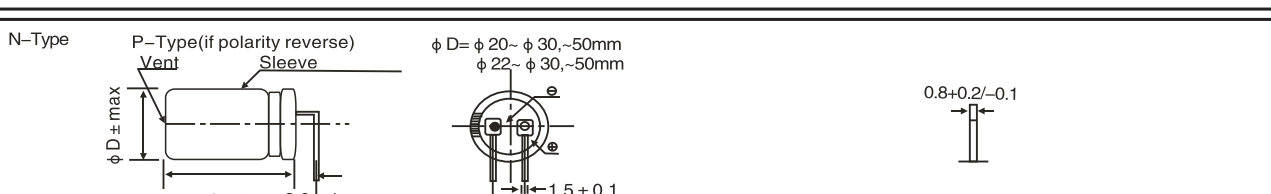
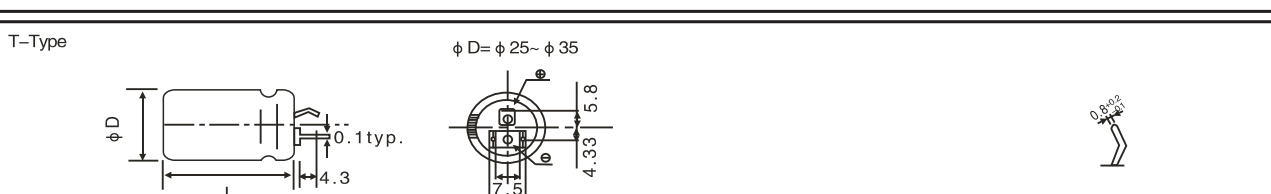
Recharging And Discharging In Flash(閃光燈充放電用)

DIMENSIONS										
Voltage (Code)		330V	360V	Voltage (Code)		330V	360V			
Cap.(μF)		Case Size		Cap.(μF)		Case Size				
150	157	14.5 x 35	14.5 x 42	450	457	18 x 56	22 x 48			
		16 x 28	16 x 35			20 x 45				
		18 x 23	18 x 28			22 x 42				
			20 x 24			25 x 32				
180	187	14.5 x 40	14.5 x 48	500	507	20 x 48	22 x 56			
		16 x 32	16 x 40			22 x 44	25 x 44			
		18 x 26	18 x 32			25 x 34	30 x 34			
			20 x 28							
200	207	14.5 x 42	14.5 x 52	600	607	20 x 56	25 x 50			
		16 x 35	16 x 45			22 x 51				
		18 x 28	18 x 35			25 x 40				
		20 x 24	20 x 30			30 x 33				
250	257	14.5 x 52	16 x 52	700	707	22 x 56	25 x 58			
		16 x 42	18 x 42			25 x 44				
		18 x 35	20 x 35			30 x 37				
		20 x 29	22 x 30			30 x 44				
300	307	16 x 48	18 x 48	800	807	25 x 50	30 x 50			
		18 x 40	20 x 40			30 x 40				35 x 38
		20 x 33	22 x 35			25 x 54				30 x 54
		22 x 30	25 x 30			30 x 43				35 x 43
350	357	16 x 56	20 x 45	900	907	25 x 58	30 x 58			
		18 x 45	22 x 40			30 x 47				35 x 48
		20 x 38	25 x 32			35 x 37				30 x 70
		22 x 35				30 x 54				30 x 70
400	407	18 x 48	20 x 52	1200	128	35 x 43	35 x 55			
		20 x 42	22 x 42			30 x 58				
		22 x 37	25 x 35			35 x 45				
		25 x 30				30 x 64				
400	407	18 x 48	20 x 52	1300	138	35 x 51	35 x 71			
		20 x 42	22 x 42							
		22 x 37	25 x 35							
		25 x 30								

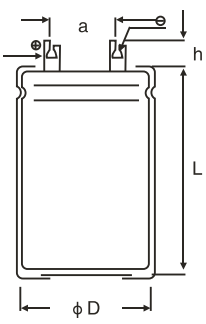
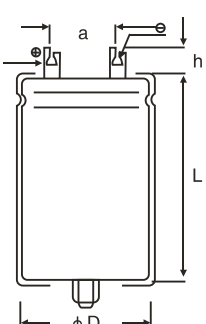
Case Size φD x L(mm)

SAMSON

Lug/Snap-in Terminal Type (插入/自立型)

CASE SIZE TABLE																	
<p>W-Type</p> 																	
<p>Z-Type</p> 																	
<p>G-Type</p>  <table border="1" data-bbox="1181 776 1372 840"> <thead> <tr> <th>φ D</th> <th>35</th> <th>40</th> <th>50</th> <th>63</th> <th>76</th> </tr> </thead> <tbody> <tr> <td>P</td> <td>14</td> <td>14</td> <td>18</td> <td>25</td> <td>25</td> </tr> </tbody> </table>	φ D	35	40	50	63	76	P	14	14	18	25	25					
φ D	35	40	50	63	76												
P	14	14	18	25	25												
<p>X-Type</p> 																	
<p>U-Type</p> 																	
<p>I-Type</p> 																	
<p>N-Type</p> 																	
<p>T-Type</p> 																	

Lug/Snap-in Terminal Type(插入/自立型)

CASE SIZE TABLE									
L-Type 	D	h	a						
	20	10	10						
	30	10	10						
	35	10	10						
	40	10	20						
	50	10	20						
Unit:mm									
V-Type 	D	h	a	B					
	20	10	10	M8 x 12					
	30	10	10	M8 x 12					
	35	10	10	M8 x 12					
	40	10	20	M8 x 12					
	50	10	20	M8 x 16					
Unit:mm									
		thread	max.tightening torque						
mounting		M8	4Nm						
mounting		M12	10Nm						